

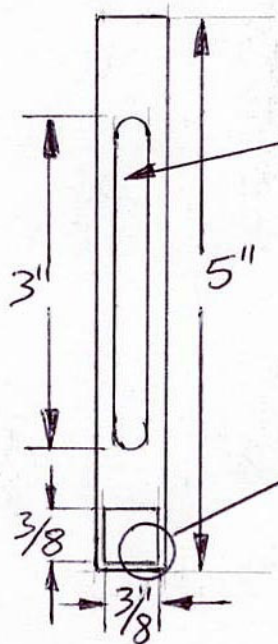
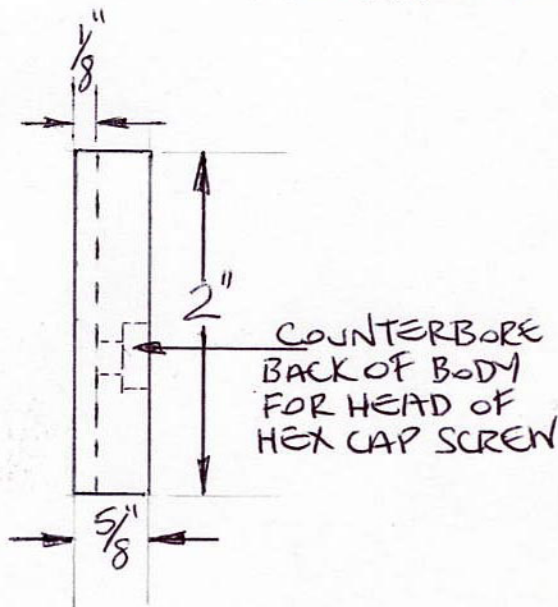
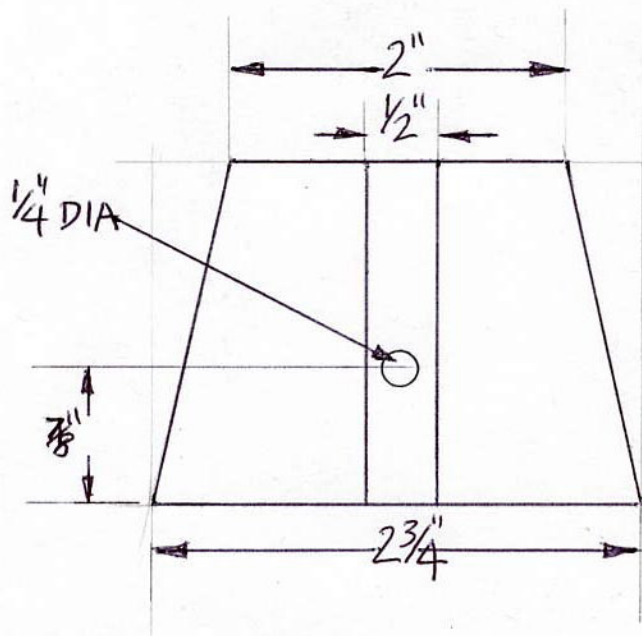
HARDWARE

1/4-20 WING NUT

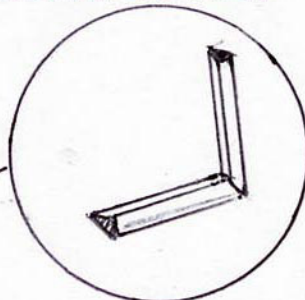
1/4-20 x 3/4"

HEX CAP SCREW

1/4 LOCKING WASHER



SLOT TO ACCEPT
1/4-20 x 3/4"
HEX CAP SCREW



FILE TO SHARPEN