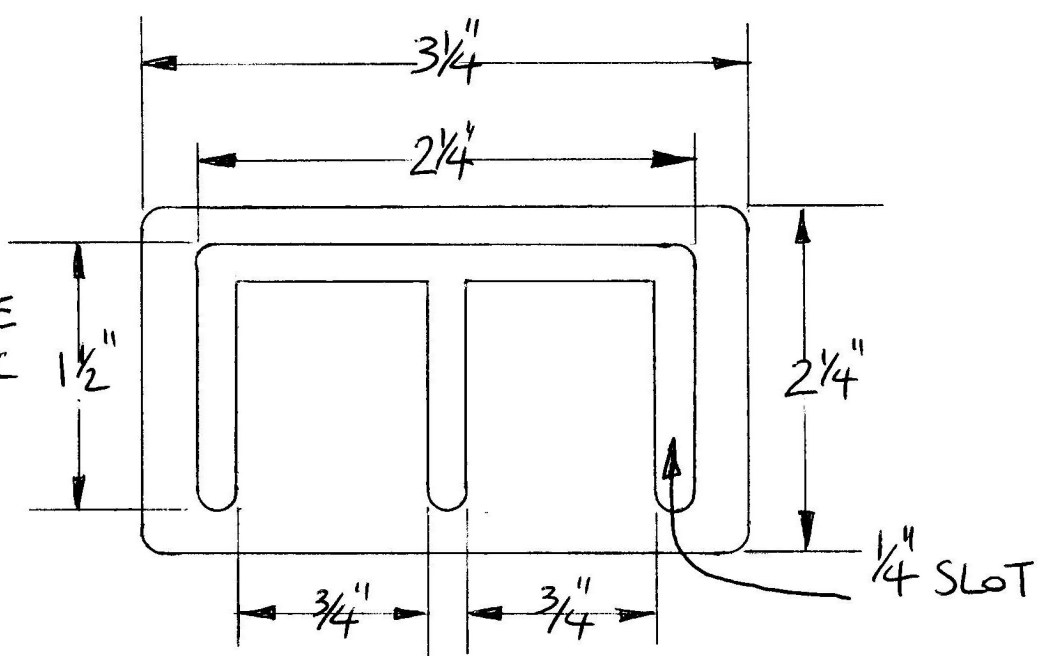
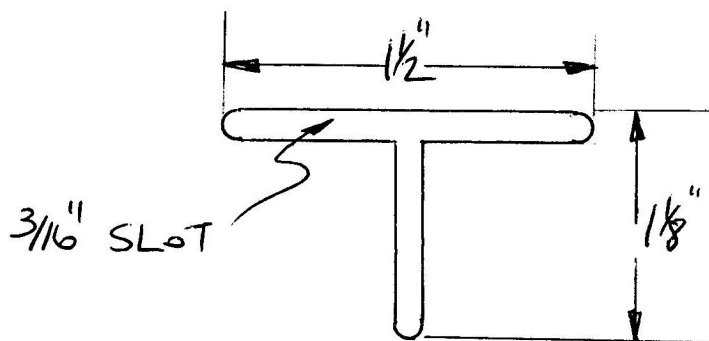
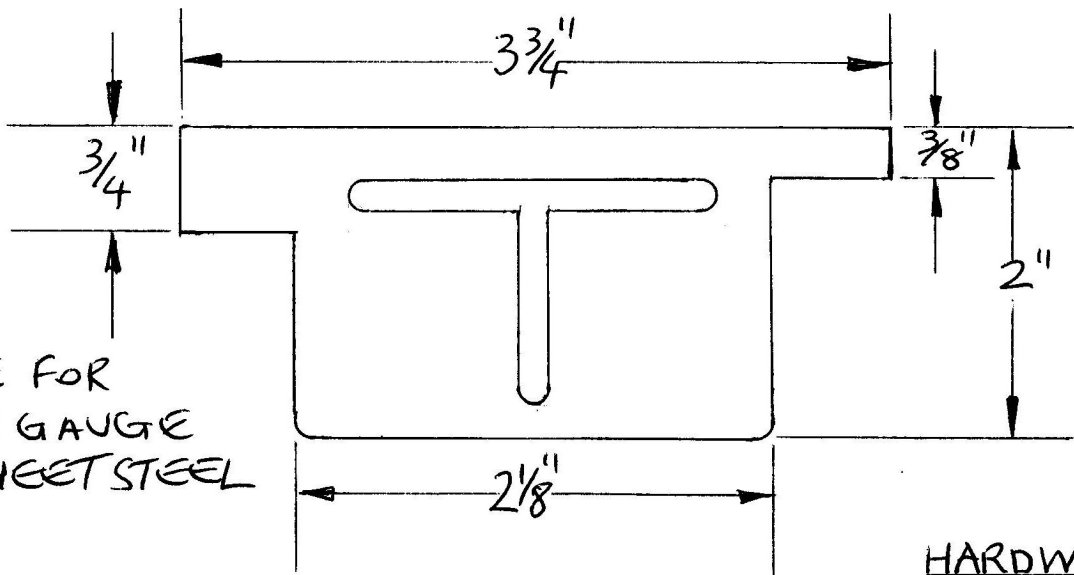


BASE
FOR
DEPTH GAUGE
1/4" ACRYLIC



BLADE FOR
DEPTH GAUGE
1/16" SHEET STEEL



SLOT DETAIL

HARDWARE
10-32 x 3/4"
MACHINE SCREW
10-32 WING NUT
STEEL WASHERS
2 OFF
RUBBER WASHERS
2 OFF